

MLT-X625

TECHNICAL DATA SHEET



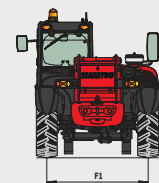
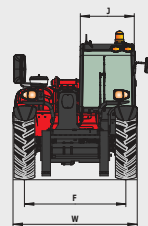
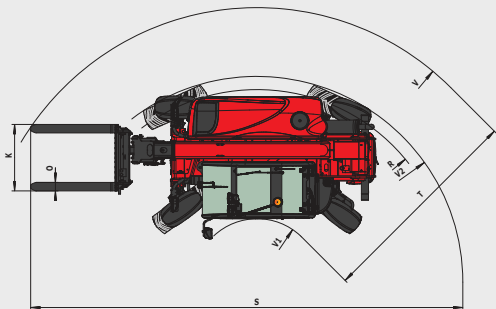
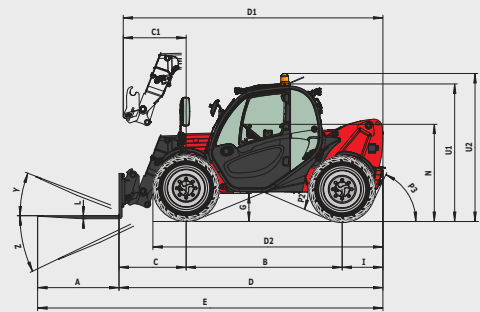
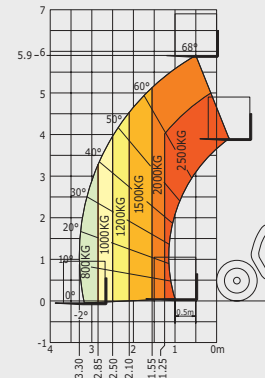
MLT-X625

		MLT-X 625-75 H
	Lifting capacity at 500 mm from forks heels	2500 kg
	Break out force as per standard ISO 8313-1986	4205 daN
	Lifting height	5.90 m
	Time: laden/unladen (in s)	
	Lifting	7.2/7.45
	Lowering	4.90/5
	Telescope	
	Extension	5.2/5.3
	Retraction	3.7/3.75
	Time: unladen (in s)	
	Crowd	3.2
	Dump	3.2
	Front/rear tyres	12.0-18 12 PR
	Forks Length x width x thickness	1200 x 125 x 45 mm
	Oil immersed multidisc brake	
	KUBOTA engine	
	Type	V3307-DI-T-E3B
	Capacity	4 cyl./3331 cm ³
	Power (ISO/TR 14396)	75 HP/55.4 kW Turbo
	Max. torque (ISO/TR 14396)	265 Nm at 1400 rpm
	Injection	direct
Cooling	water	
	Transmission	hydrostatic
	Gear reverser	electro-hydraulic
	Speed forward and reverse	2/2
	Max. travel speed up to	25 kph
	Hydraulics	
	Gear pump	90 l/min at 235 bars
Flow divider priority for steering		
	Capacities	
	Cooling system	12 l
	Transmission oil	115 l
	Engine oil	11.2 l
	Fuel tank	63 l
	Unladen weight (with forks)	4922 kg
	Overall Width	1.82 m
	Overall Height	2.00 m
	Turning radius (outer wheels)	3.19 m
	Length at carriage	3.90 m
	Ground clearance	0.38 m

mm	D2 3393	K 1015	S 6531	W 1814
A 1200	E 5094	L 45	T 3475	Y 12°
B 2300	F 1500	N 1398	U1 2000	Z 117°
C 991	F1 1500	O 125	U2 2167	
C1 928	G 378	P2 45	V 4240	
D 3894	I 603	P3 65	V1 765	
D1 3831	J 797	R 3033	V2 3190	

Maximum height reach: 0.50 m

As per standard EN 1459 annex B



This brochure describes versions and configuration options for Manitou products which may be fitted with different equipment. The equipment described in this brochure may be standard, optional or not available depending on version. Manitou reserves the right to change the specifications shown and described at any time and without prior warning. The manufacturer is not liable for the specifications given. For more information, contact your Manitou dealer. Non-contractual document. Product descriptions may differ from actual products. List of specifications is not comprehensive. The logos and visual identity of the company are the property of Manitou and may not be used without authorisation. All rights reserved. The photos and diagrams contained in this brochure are provided for information only.

MANITOU BF SA - Limited company with board of directors - Share capital: 39,547,824 euros - 857 802 508 RCS Nantes

