



84" Dozer Blade

The Dozer Blade is a versatile attachment for dozing, leveling ground and general earthmoving work. Hydro electric controlled angle and tilt using only one loader valve.

Features:

- Angle and Tilt cylinders are interchangeable and equipped with self aligning bushings
- Reversible 3/4" x 200mm bolt-on cutting edge & formed moldboard 8mm thick & 700mm high
- Large 3" center pivot pin with hardened steel bushings
- Full length high carbon steel, replaceable skid shoe
- Set up to default in either tilt or angle position
- Universal skid-steer loader quick attach mounting
- 2 year limited warranty

Options:

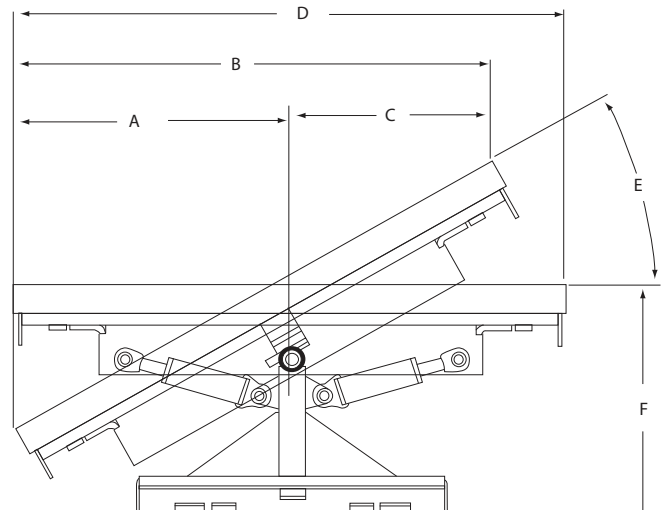
- an electrical switch
- Plug n go 8 pin skid steer connection
- an electrical control box

Ideal Use:

Earthmoving, Landscaping, Roadworks and more.

Machine Suitability:

Skid Steer Loaders, excavators, telehandlers, backhoes and other specialised machines



Specification:	
Weight:	590Kg
Length (O.A.L)	940mm
Height (overall)	762mm
Width (overall)	2160mm
Width at 15° angle	2082mm
Width at 30° angle	1880mm
Angle left & right	30°



48" Mini
Tilt Dozer
Blade