



MINI ANGLE DOZER BLADE (ML-200)

The Digga Mini Angle Dozer Blade is a versatile attachment for dozing, levelling ground and general earthmoving works.

Features:

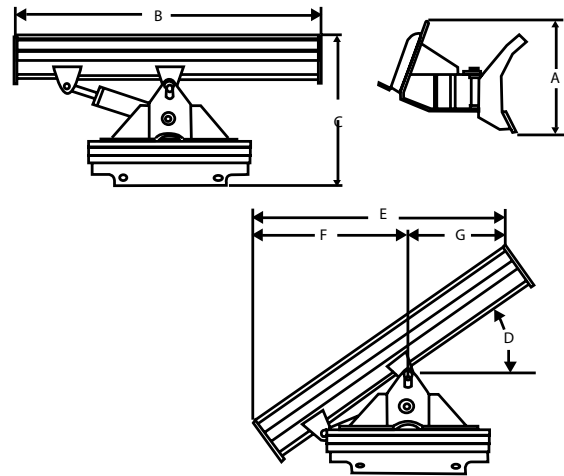
- 46" width available. (117cm)
- 30° left and right angle.
- Replaceable wear edge.
- 11° left and right tilt on Angle/Tilt model only.
 - ML-000381: suit dual remote machines
 - ML-000382: suit single remote machine
- (complete with Manual Hydraulic Diverter Valve)

Ideal Use:

Dozing, grading, levelling of material in earthworks, landscaping, road works and more.

Machine Suitability:

Mini Machines, Mini Loaders.



84" Dozer Blade also available



| Specifications | |
|---|--------|
| Height (A) | 431mm |
| Width (B) | 1193mm |
| Length (C) | 558mm |
| Angle - Left & Right (D) | 30° |
| Blade Width at Maximum Angle (E) | 1016mm |
| Width from Centreline to Inside Edge @ Maximum Angle (F) | 584mm |
| Width from Centreline to Outside Edge @ Maximum Angle (G) | 393mm |
| Weight (kgs) | 116kgs |

Contact your local professional dealer or contact Digga direct

THE BEST DOWNUNDER

DIGGA

PHONE: 1300 2 DIGGA EMAIL: info@digga.com WEB: www.digga.com

QLD, NT
4 Octal Street
Yatala QLD 4207

NSW, ACT
Unit 2, 36 Bluett Drive
Smeaton Grange NSW 2567

VIC, SA, TAS
27 Metcalf Street
Dandenong VIC 3175

WA
6/15 Yampi Way
Willetton WA 6155

AUTHORISED
DIGGA DEALER