



## MINI LOG GRAB

The Digga Mini Log Grab is an effective way of moving and manipulating large logs and other similar objects.

### Features:

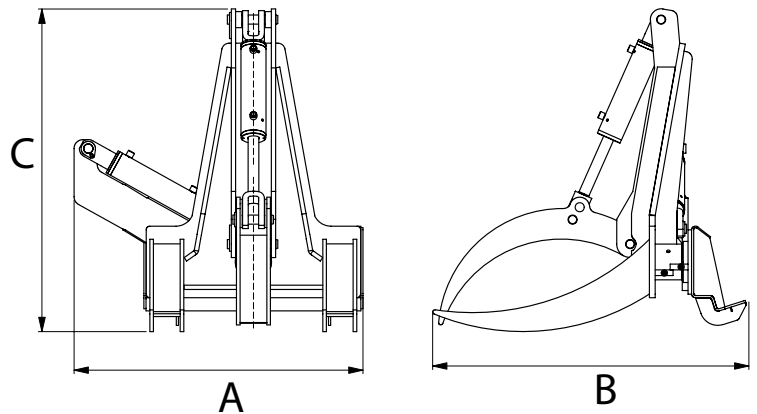
- 3 rotating tynes provide safe grip.
- 180 degree rotation of tynes.
- Tynes are positioned to be able to grab various shapes securely.

### Ideal Use:

Moving and manipulating large items.

### Machine Suitability:

Mini Loaders and Small Skid Steers.



Specification:	Mini Log Grab
Weight:	148kgs
Maximum Lifting Weight:	120kgs
Length (Overall)	820mm
Height (overall)	815mm
Width (overall)	845mm
Max Flow (LPM)	up to 45
Max Pressure (BAR)	220

Contact your local professional dealer or contact Digga direct

THE BEST DOWNUNDER

# DIGGA

PHONE: 1300 2 DIGGA EMAIL: [info@digga.com](mailto:info@digga.com) WEB: [www.digga.com](http://www.digga.com)

**QLD, NT**  
4 Octal Street  
Yatala QLD 4207

**NSW, ACT**  
Unit 2, 36 Bluett Drive  
Smeaton Grange NSW 2567

**VIC, SA, TAS**  
27 Metcalf Street  
Dandenong VIC 3175

**WA**  
6/15 Yampi Way  
Willetton WA 6155

AUTHORISED  
DIGGA DEALER