



MINI POWER RAKE

The Digga Mini Power Rake grades, levels, rakes and removes debris, pulverizing and preparing the ground for new seedbed or turf. De-thatch or remove old lawn and weeds, all with one tool.

Features:

- Fully Hydraulic 1220mm (48") drum width.
- Optional Manual Slew available
- Made Australian Quality
- Removable spoil plates for windrowing.
- Bi-directional drum can work soil in both directions.
- Removable wheels for easy transport and storage

Ideal Use:

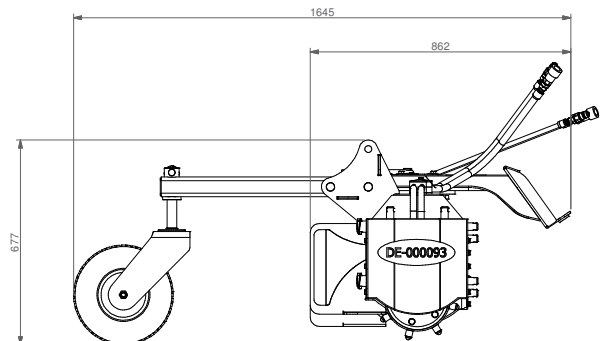
Leveling, Grading, Seedbed Preparation, Sloping, Site Preparation, Lawn care, Golf Courses, Wineries, Paving and Contractors.

Machine Suitability:

Mini Machines, Small Skid Steer Loaders.



SPECIFICATIONS	
Rec Flow Range (LPM)	35 - 75 LPM
Drum Width	1220mm
Overall Width	1467mm
Length (Wheels Down)	1645mm
Length (No Wheels)	862mm
Rec Flow Range (LPM)	35 - 75 LPM
Max Pressure (BAR)	240
Weight (kgs approx)	330



Contact your local professional dealer or contact Digga direct

THE BEST DOWNUNDER

DIGGA

PHONE: 1300 2 DIGGA EMAIL: info@digga.com WEB: www.digga.com

QLD, NT
4 Octal Street
Yatala QLD 4207

NSW, ACT
Unit 2, 36 Bluett Drive
Smeaton Grange NSW 2567

VIC, SA, TAS
27 Metcalf Street
Dandenong VIC 3175

WA
6/15 Yampi Way
Willetton WA 6155

AUTHORISED
DIGGA DEALER