



## MINI ROCK GRAB

Mini Rock Grab is a versatile tool capable of lifting large rocks and positioning where desired.

### Features:

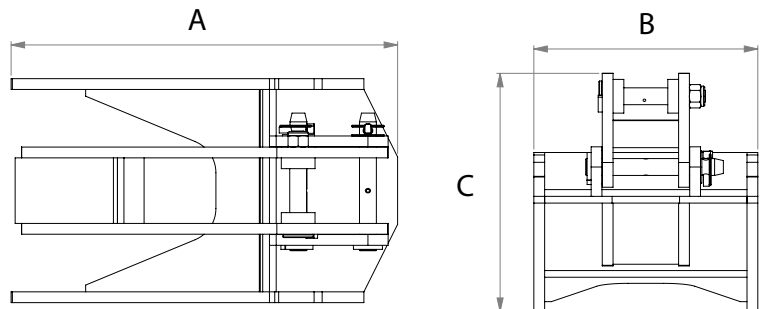
- Versatile tool capable of lifting heavy objects.
- 3 Tynes provide a stable grip on rounded objects.
- Ideal for landscapers building rock walls.
- Able to lift object from 160mm - 500mm in diameter.

### Ideal Use:

Building Rock Walls, moving large items

### Machine Suitability:

Mini Loaders and small skid steers



Rock Bucket and Rock Bucket with Grapple also available for Skid Steer Loaders and Tractors

Specification:	Mini Rock Grab - OK55323 (jaws only)
Weight:	85kgs
Length (Overall)	575mm
Height (overall)	332mm
Width (overall)	352mm
Tyne Length	400mm
Lifting Capacity	180kgs
Rock Diameter	160mm to 500mm

Please note: Order Code refers only to jaws, complete assembly requires OK55500 and OK55323.

**Contact your local professional dealer or contact Digga direct**

THE BEST DOWNUNDER

# DIGGA

PHONE: 1300 2 DIGGA EMAIL: [info@digga.com](mailto:info@digga.com) WEB: [www.digga.com](http://www.digga.com)

QLD, NT  
4 Octal Street  
Yatala QLD 4207

NSW, ACT  
Unit 2, 36 Bluett Drive  
Smeaton Grange NSW 2567

VIC, SA, TAS  
27 Metcalf Street  
Dandenong VIC 3175

WA  
6/15 Yampi Way  
Willetton WA 6155

