



MINI SKID HOE

The Digga Mini Skid Hoe is perfect for digging trenches and footings upto 1.27m deep with a large bucket range suiting most mini machines and small skid steers.

Features:

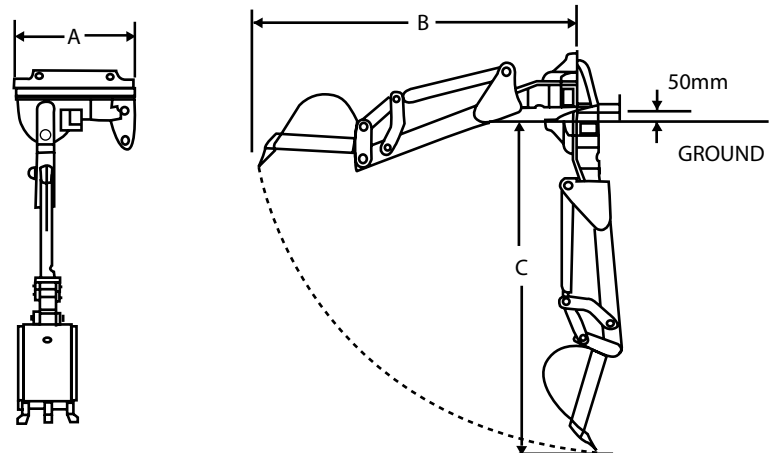
- Dig Trenches up to 1270mm deep.
- Bucket curl feature.
- Standard with 12" (300mm) bucket.
- Fits most major mini loader brands.
- Unique yoke design ensures maximum open of the cylinder providing full reach and optimising clean out of bucket.
- Manual side shift frame available for off centre digging.

Ideal Use:

Digging Trenches and Footings

Machine Suitability:

Mini Loaders, Mini Machines and small skid steers



Skid Hoe also available

Specification:	
Width (A)	635mm
Reach (B)	1295mm
Digging Depth (C)	1270mm
Digging Force (bucket cylinder)	907kgs
Weight	70kgs

Contact your local professional dealer or contact Digga direct

THE BEST DOWNUNDER

DIGGA

PHONE: 1300 2 DIGGA EMAIL: info@digga.com WEB: www.digga.com

QLD, NT
4 Octal Street
Yatala QLD 4207

NSW, ACT
Unit 2, 36 Bluett Drive
Smeaton Grange NSW 2567

VIC, SA, TAS
27 Metcalf Street
Dandenong VIC 3175

WA
6/15 Yampi Way
Willetton WA 6155

