



MINI UNDER ROAD BORER

Digga's Mini Under Road Borer has a horizontal head which drops below ground level for under road boring or reaming.

Features:

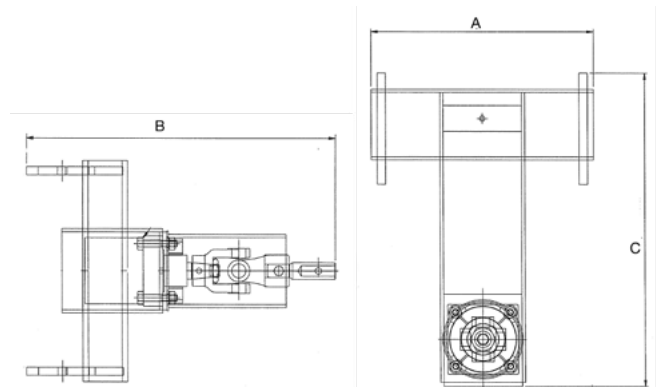
- Eliminates pavement removal for pipe and cable laying.
- Custom Under Road Borers enable stacking of augers.
- 1500mm Extra Long Continuous Flighted Augers.
- 2 Removable pilot options for the augers, 80mm in diameter and 90mm in diameter.
- 2 Auger widths available; 65mm and 80mm diameter.
- Joiner and D Clip available for easy connection of the augers.

Ideal Use:

Under Road Boring and reaming for installation of pipes and cables.

Machine Suitability:

Mini Stand on Machines with Multifit Frame



Specifications	
A Width (overall)	425mm
B Depth (overall)	590mm
C Height (overall)	604mm
Max Flow (LPM)	up to 45
Max Pressure (BAR)	220
Weight	46kgs
Shaft Size	1.1/8" Hex

Contact your local professional dealer or contact Digga direct

THE BEST DOWNUNDER

DIGGA

PHONE: 1300 2 DIGGA EMAIL: info@digga.com WEB: www.digga.com

QLD, NT
4 Octal Street
Yatala QLD 4207

NSW, ACT
Unit 2, 36 Bluett Drive
Smeaton Grange NSW 2567

VIC, SA, TAS
27 Metcalf Street
Dandenong VIC 3175

WA
6/15 Yampi Way
Willetton WA 6155

