

# PALLET FORKS

MULTIFIT SKID STEER LOADER

# DIGGA

## Digga Pallet Forks - The safest on the market

Unique to Digga, new floating tyne design with lockable tyne position offers unrivalled Australian made quality and safety for multifit skid steer loaders. Available in 1500kg and 1800kg lifting capacities

Safety guard folds down for compact storage

Machine Entry Step  
Can be mounted on either side

**TYNE BAR LOCKING SYSTEM**  
Easy width adjustment with lockable tyne positions  
(PATENT PENDING)

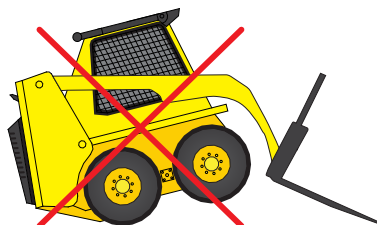
Tynes load rating tested to ISO 2330 Standards

Heavy duty, Quality Australian made frame with added stability for easy connection to your machine.

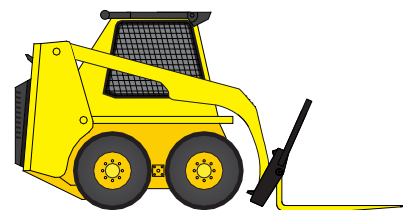
## FLOATING TYNE DESIGN

A floating tyne design offers unparalleled safety for skid steer loaders. Unlike forklifts, skid steers are able to crowd their pickup past horizontal allowing the machine to be placed in an unsafe position which could cause it to tip over. Digga's pallet fork design allows the tynes to swing freely from a single fixed point ensuring load and operator safety. Furthermore the design prevents the machine's weight to be placed on the tynes which could cause them to break.

FIXED TYNE  
PALLET FORKS



DIGGA FLOATING  
PALLET FORKS



**IF YOU CARE ABOUT SAFETY THEN A FLOATING TYNE DESIGN IS THE ONLY SAFE CHOICE FOR SKID STEER LOADERS**

Contact your local professional dealer or contact Digga direct

THE BEST DOWNUNDER

PHONE: 1300 2 DIGGA EMAIL: [info@digga.com](mailto:info@digga.com) WEB: [www.digga.com](http://www.digga.com)

# DIGGA

QLD, NT  
4 Octal Street  
Yatala QLD 4207

NSW, ACT  
20 Mckay Close  
Wetherill Park NSW 2164

VIC, SA, TAS  
27 Metcalf Street  
Dandenong VIC 3175

WA  
6/15 Yampi Way  
Willetton WA 6155

AUTHORISED  
DIGGA DEALER

## Packaging

Designed for easy handling, shipping and storage. Assembly is simple and quick.

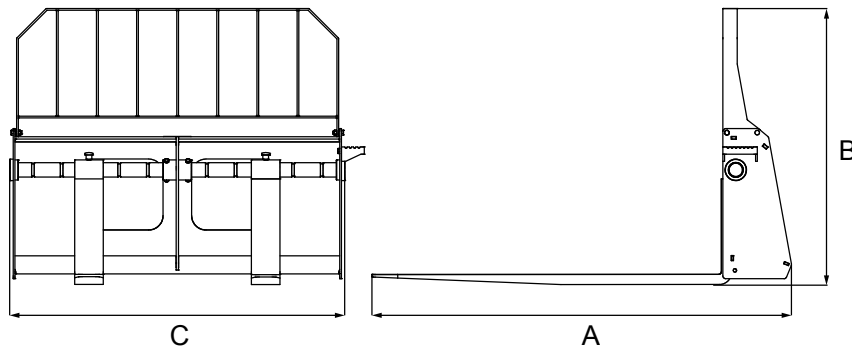


### Box Measurements

1500kg - 1270L x 265W x 645H

1800kg - 1330L x 260W x 650H

## Specifications



Specifications	1500kg	1800kg
Length (A)	1314mm	1464mm
Height (B)	964mm	964mm
Width (C)	1170mm	1170mm
Weight	138kg	157kg

## Machine Suitability

This model suits multifit skid steer loaders only. A similar pallet fork design for other machines pickups is available. Please ask Digga for more information.

Contact your local professional dealer or contact Digga direct

THE BEST DOWNUNDER

# DIGGA

PHONE: 1300 2 DIGGA EMAIL: [info@digga.com](mailto:info@digga.com) WEB: [www.digga.com](http://www.digga.com)

QLD, NT  
4 Octal Street  
Yatala QLD 4207

NSW, ACT  
20 Mckay Close  
Wetherill Park NSW 2164

VIC, SA, TAS  
27 Metcalf Street  
Dandenong VIC 3175

WA  
6/15 Yampi Way  
Willetton WA 6155



AUTHORISED  
DIGGA DEALER