

COMPACT P27.6 AU

- ▶ **Largest cab** of any compact at 1,010 mm
- ▶ Hydrostatic transmission gives a **smooth ride**
- ▶ **Fuel efficient and fast**, the P27.6 AU reaches 40 km/h
- ▶ With a **boom reach of 6 m**, it out performs other compacts

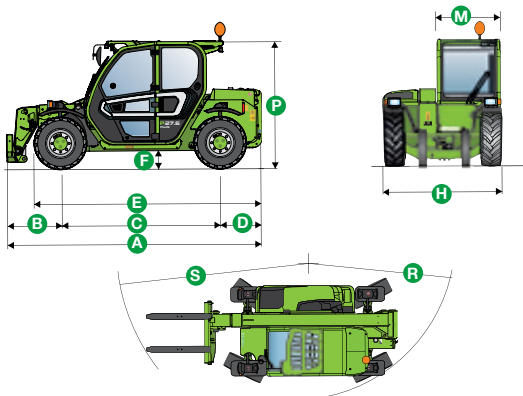
SINCE 1964



Merlo's new **P27.6 AU telehandler** delivers unrivalled comfort, efficiency and agility.



COMPACT P27.6 AU

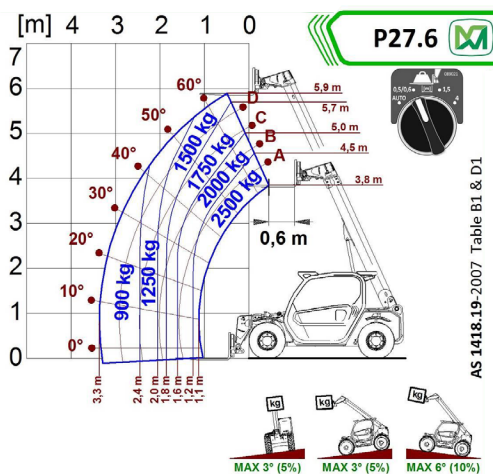


DIMENSIONS

A (mm)	3910
B (mm)	820
C (mm)	2450
D (mm)	640
E (mm)	3495
F (mm)	270
H (mm)	1840
M (mm)	1010
P (mm)	1920
R (mm)	3370
S (mm)	4200

PERFORMANCE

Total Unladen Mass, with Forks (kg)	4,780
Maximum Capacity (kg)	2,500
Lifting Height (m)	5.9
Maximum Reach (m)	3.3
Maximum Operating Height (m)	4.5
Maximum Operating Reach (m)	1.2
Capacity at Maximum Height (kg)	1,500
Capacity at Maximum Reach (kg)	900



120-124 Toongabbie Road Girraween 2145 NSW Australia
For further information please call **1300 657 325** or visit merloaustralia.com.au

STANDARD SPECIFICATIONS

Engine

Turbo Engine	Kubota V3307 Euro III
Range/Cylinders	3,300/4
Engine Power (kW/HP)	54/74
Maximum Speed (km/h)	40
Fuel Tank Capacity (l)	70

Transmission

Hydrostatic Merlo Transmission	Std
Pedal Inching-Control	Std
Permanent Four-Wheel Drive	Std

Brakes

Automatic Parking Brake	Std
External Dry Disc Service Brakes	Std

Tyres

Standard Tyres	12.0/75-18"
----------------	-------------

Cab

Air Conditioned Cabin	Std
Pressurized Cabin	Std
Air Suspension Seat	Std
FOPS (ISO 3449) and ROPS (ISO 3471) Cab	Std

Steering

All Wheel Steering	Std
--------------------	-----

Instruments

Electromechanical Joystick Control	Std
Merlo Dynamic Load Control (M-CDC)	Std
Reversing Camera	Std

Hydraulic System-Implement

Gear Pump (bar-l/min)	210/94
Hydraulic Oil Tank Capacity (l)	70
Auxiliary Hydraulic Service on Boom	Std

Accessories and Attachments

Tac-Lock Attachment Locking	Std
Standard Forks	Std
Fork Extensions	Optional
Digging Bucket	Optional
Re-handling Bucket	Optional
4 x 1 Bucket	Optional
Multipurpose Bucket	Optional
Crane Hook	Optional
Reduced Height Crane Jib	Optional
Drum Clamp	Optional
Fork Rotator	Optional
Carriage with Floating Forks	Optional
Man Platform	Optional

Merlo reserves the right to modify and update the contents of this document at any time. Information and technical data are as available at time of printing.

For current information on Merlo products please contact your Merlo dealer.

ABN 87116110751 **MER-P27.6AU-2018**