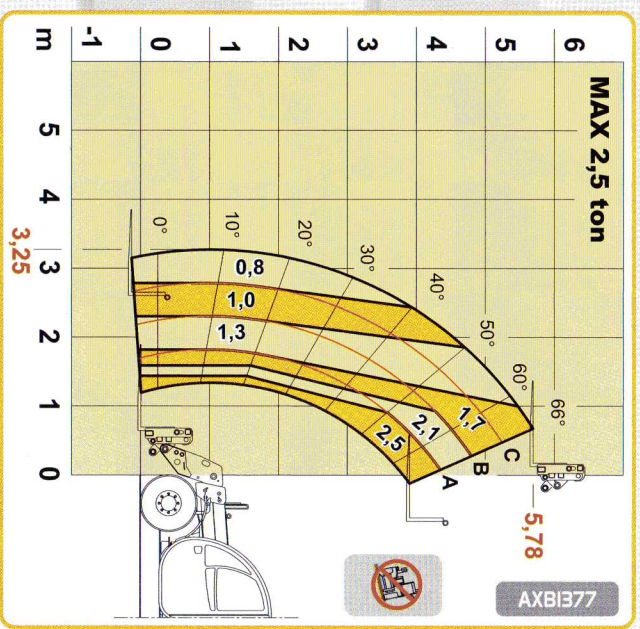
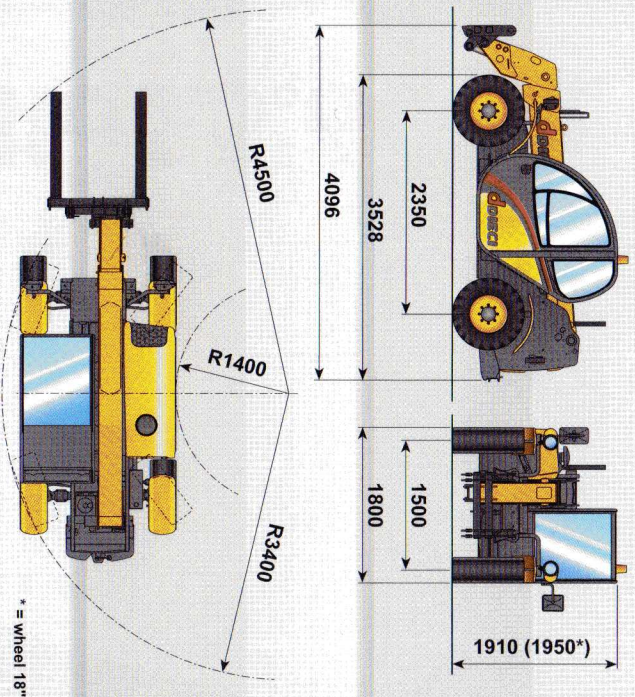




Apollo 25.6

doDieci
macchine edili ed agricole

Apollo 25.6



PERFORMANCES

| | |
|----------------------------------------------|-----------|
| Maximum capacity: | 2.500 kg |
| Capacity at maximum height on tyres: | 1.700 kg |
| Capacity at maximum boom extension on tyres: | 800 kg |
| Maximum lifting height on tyres: | 5,78 m |
| Maximum horizontal boom extension: | 3,25 m |
| Boom extension at maximum height: | 0,67 m |
| Fork tilting angle: | 129° |
| Towing force: | 4.400 daN |
| Maximum allowable slope: | 40 % |
| Total empty weight: | 4.800 kg |
| Max speed: | 26 km/h* |

ENGINE

| | |
|-------------------------------|-----------------------------------------|
| YANMAR 4TNV98 - 52 kW ENGINE | 52 kW (71 hp) at 2500 rpm |
| Maximum power: | 52 kW (71 hp) at 2500 rpm |
| Type, injection: | four-stroke diesel engine, direct |
| Cylinder number and layout: | 4, vertical in line |
| Displacement: | 3319 cm ³ |
| Cooling system: | liquid |
| YANMAR 4TNV98T - 62 kW ENGINE | 62 kW (85 hp) at 2500 rpm |
| Maximum power: | 62 kW (85 hp) at 2500 rpm |
| Type, injection: | four-stroke diesel engine, direct |
| Cylinder number and layout: | 4, vertical in line |
| Displacement: | 3319 cm ³ - Turbo compressor |
| Cooling system: | liquid |

TRANSMISSION

Transmission:..... Hydrostatic with variable delivery pump
 Hydraulic engine:..... with automatic adjustment
 Reversing gear:..... electro - hydraulic
 Inching pedal for controlled forward movement.

REFUELLING (litre)

| | |
|----------------------|----|
| Hydraulic tank:..... | 70 |
| Fuel tank:..... | 80 |

STANDARD DEVICES

Anti-tipping device with block for hazardous movements.
 Hydraulic socket for possible accessories on boom head.
 Closed soundproof ROPS - FOPS approved driver's cab, with heating.
 Self-locking differential on front axle.

DIFFERENTIAL AXLES

Steering axles:..... 2, with 4 planetary reduction gears
 Type of steering:..... 4 wheels/transversal/2 wheels
 Front axle:..... rigid
 Rear axle:..... oscillating
 Service brake:..... oil bath on the front axle
 Negative parking brake.

TYRES

| | |
|-------------------|--------------|
| Tyres:..... | 12 - 16 5 |
| Alternative:..... | 12.0/75 - 18 |

OPTIONAL AND ACCESSORIES

Optional and Accessories:..... see the relevant catalogue.

The information contained in this publication is merely indicative; the models described may be modified, without notice, by the manufacturer; drawings and photographs may refer to optional or particular equipment for other countries. For any further information, please contact DIECI premises at the address given below.